

Customer: ALPS ELECTRIC CO., LTD.

No. KK-2006-2246

Date: Nov. 13, 2006

Attention:

Your ref. No.:

Your Part No.: ALBS 8325 402338

# SPECIFICATIONS

ALPS';

MODEL: RK2711210  
( 500KBX2 )

Spec. No.:

Sample No.: F 3 5 0 9 7 6 8 M

## RECEIPT STATUS

RECEIVED

By Date \_\_\_\_\_

Signature \_\_\_\_\_

Name \_\_\_\_\_

Title \_\_\_\_\_

**ALPS**  
ALPS ELECTRIC CO., LTD.

Head Office  
1-7, Yukigaya-otsuka-cho, Ota-ku, Tokyo, 145-8501 Japan  
Phone,+81(3)3726-1211

DSG'D

*Y. Ohya*

APP'D

*S. Ikenoue*

ENG. DEPT. DIVISION

Sales

B6523

Q1003#03A (EA)

# S P E C I F I C A T I O N S

1. THIS SPECIFICATIONS APPLY TO RK2711210 POTENTIOMETER.

2. CONTENTS OF THIS SPECIFICATIONS.

5K272A000G

K272A004D

4K-1

3. MARKING

- MARKING ON ALL UNITS  
DATE CODE, RESIST. VALUE, TAPER

4. REMARKS

- FURNISH PACKAGE  
NUT:1 WASHER:1

## • CAUTION

Regardless of the suggested applications of these products being introduced in the specifications, when using them for equipment and devices requiring a high degree of safety, respective manufacturers will please preserve safety of the planned equipment and devices by providing necessary protective circuits and redundancy circuits and reconfirm if safety is being duly preserved.

Products being introduced in the specifications have been designed and manufactured for applications to ordinary electronic equipment and devices such as the AV equipment, electric home appliances, office machines and communications equipment. Consequently, when employing these products for applications requiring a high degree of safety and reliability such as the medical equipment, aviation and aircraft equipment, space equipment and burglar alarm equipment, the using manufacturers will please thoroughly study the proprieties of these products for the planned applications.

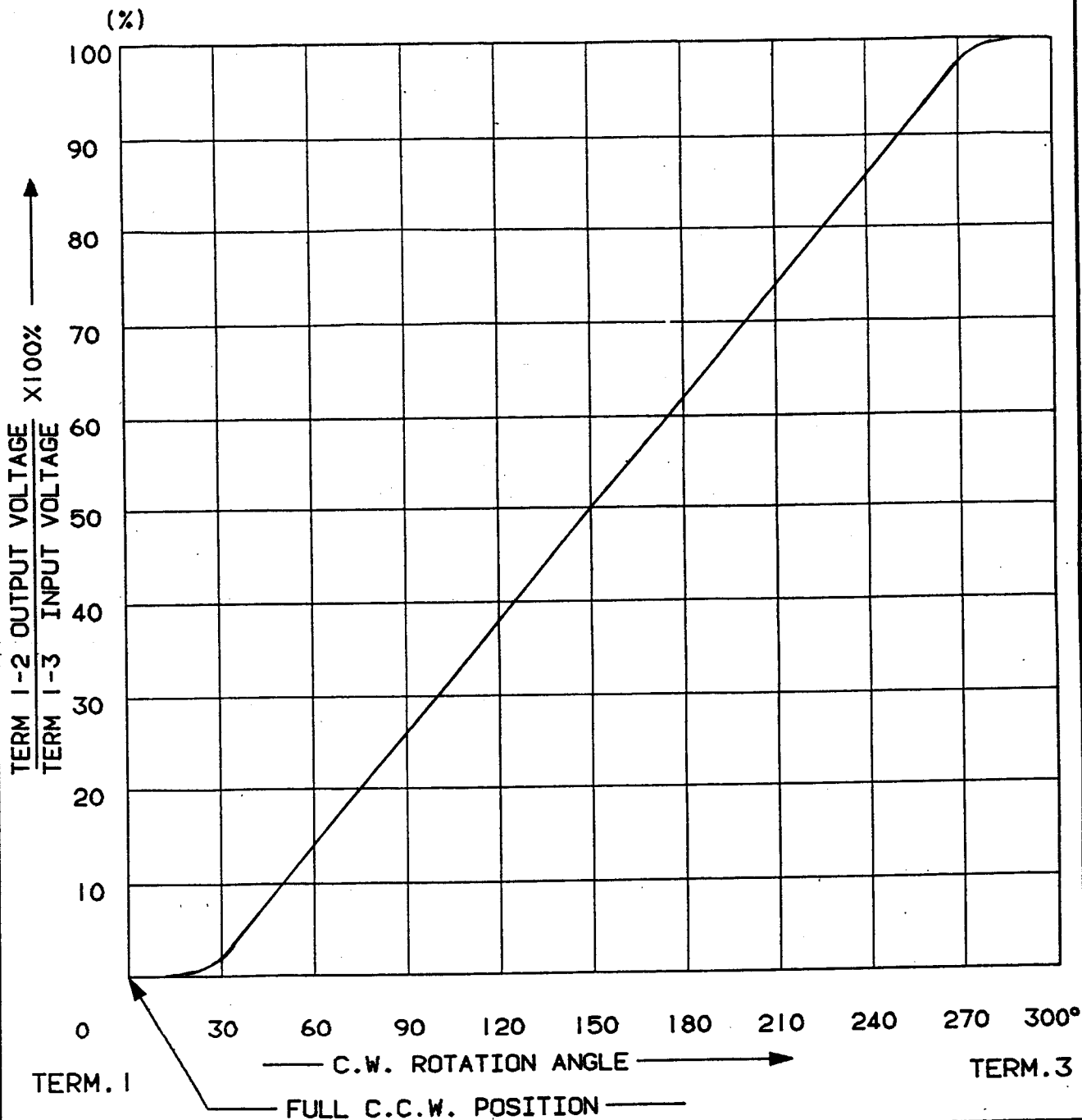
Although we are exerting our best efforts to maintain the quality of these products, we cannot guarantee that they will never cause short circuiting and open circuitry. Therefore, when designing an equipment or device with which the priority is given to the safety, you will please carefully study the influences to the whole equipment of a single function failure of Potentiometers and Encoders in advance to make out a fail-safe design providing.





# ALPS ELECTRIC CO., LTD

1-7 YUKIGAYA OTSUKA-CHO OTA-KU TOKYO JAPAN

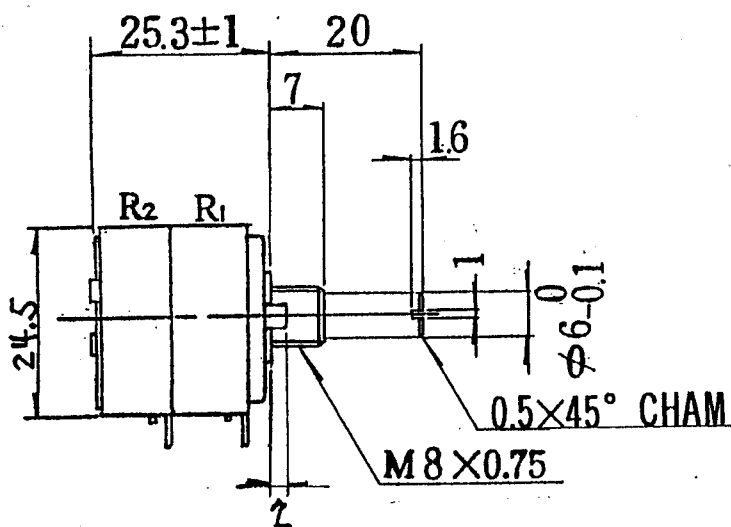


AT 150° C.W. SHAFT ROTATION FROM FULL C.C.W. POSITION, VOLTAGE PERCENT SHALL FALL WITHIN THE LIMITS OF 40 - 60 PERCENT.

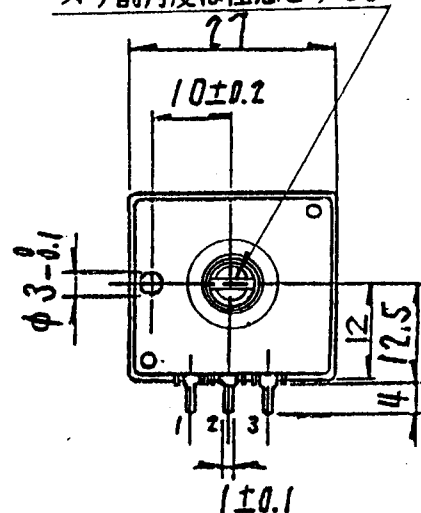
TONE

					DSGD <i>K. Chonan May 10 '96</i>	SCALE	
					CHKD.		TITLE RESISTANCE TAPER
Original	80-09-13	S.S		Y.O	APPD. <i>S. Sasaki May 18 '96</i>	UNIT m m	DOCUMENT NO. HSB01

OR



SHAFT SLOT IS OPTIONAL ANGLE  
スリ割角度は任意とする。

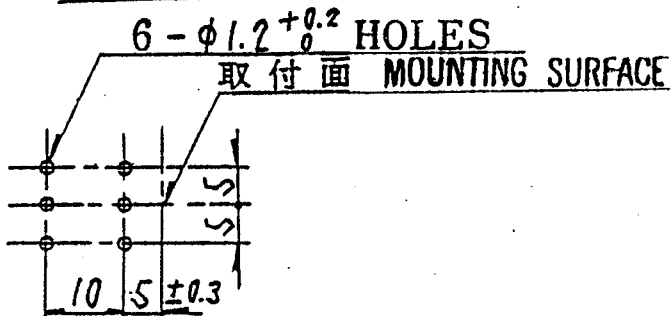


**P.W.B. MOUNTING DETAIL**

TOLERANCE  $\pm 0.1$   
VIEWED FROM MOUNTING SIDE

取付穴寸法図

許容差 $\pm 0.1$



許容差の指定なき寸法の公差	
TOLERANCES UNLESS OTHERWISE SPEC	
BASIC DIMENSIONS	TOLERANCE
$L \leq 10$	$\pm 0.3$
$10 < L < 100$	$\pm 0.5$
$100 \leq L$	$\pm 0.8$
角度 ANGULAR DIMENSION	$\pm 5^\circ$

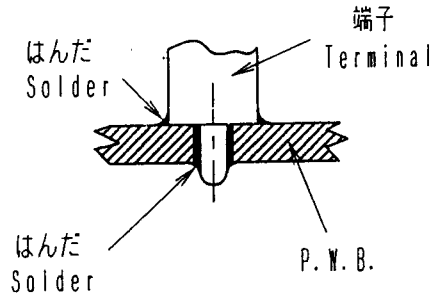
PART NO.		NAME		MATERIAL NAME & CODE		FINISH		22.7g	
<b>ALPS ELECTRIC CO., LTD.</b>									
		UNIT mm		SCALE 1/1					
APPD.		CHKD.		DSGD.		TITLE			
62.1.20		62.1.20		62.1.20		1軸2連小型 デテントVR組立図			
SYMB.		DATE		APPD.		CHKD.		DSGD.	
								DOCUMENT NO. K272A004D	

< はんだ付け時の注意事項 >

図のようにP. W. B.の上面に はんだ付けをする配線は、  
お避け下さい。

Caution for soldering

Please avoid soldering on upper surface of P. W. B. as shown



					<b>ALPS ALPS ELECTRIC CO., LTD.</b>			
					APPRO. (一設) 96.1.11 吉岡	CHKD. (一設) 96.1.11 佐藤	DSGD. (一設) 96.1.11 大矢	TITLE _____
								DOCUMENT NO. 4K-1
SYMB	DATE	APPD	CHKD	DSGD				

OR