

No. KK-99-6118

Date: Mar. 08, 1999

Attention: _____

Your ref. No: _____

Your Part. No: _____

SPECIFICATIONS

ALPS: _____

MODEL RK27114A0
(10kDx4)

Spec. No. : _____

Sample No. : G3669423M

RECEIPT STATUS

RECEIVED

By. Date _____

Signature _____

Name

Title

ALPS ELECTRIC CO., LTD.

HEAD OFFICE
1-7, YUKIGAYA-OHTSUKA-CHO,
OHTA-KU, TOKYO 145-8501 JAPAN

DSG'D *Y. Yamaguchi*

APP'D *Y. Ohta*

Sales _____

SPECIFICATIONS

1. THIS SPECIFICATIONS APPLY TO RK27114A0 POTENTIOMETERS.

2. CONTENTS OF THIS SPECIFICATIONS.

4K274A0131
K274A0023
4K-1

3. MARKING

·MARKING ON ALL UNITS
DATE CODE, RESIST. VALUE, TAPER

4. REMARKS

·FURNISH PACKAGE
NUT: 1, WASHER: 1
·NOTES

·Marking ⇒ in specifications shows standard and condition for application.

Electrical specifications

- 1. Total resistance : Nominal total resistance $\pm 20\%$ (10k Ω $\leq R \leq 2M\Omega$)
- 2. Rated voltage : 30V A.C. This potentiometer is designed for A.C. only.
- 3. Resistance taper : See (HSD02)
- 4. Maximum attenuation level at full C.C.W. position :

Nominal total resistance	Attenuation level
$R \geq 100k\Omega$	100 dB min.
$100k\Omega > R \geq 50k\Omega$	90 dB min.
$50k\Omega > R \geq 10k\Omega$	80 dB min.

- 5. Insertion loss at full C.W. position : 0.1 dB max.
- 6. Sliding noise : Less than 47 mV. (Measured by JIS C 6443.)
- 7. (Neglected a impulsive noise at the C.W. and C.C.W. ends of position.)
- 8. Dielectric strength :
Units shall be designed to withstand 500V A.C. 50Hz R.M.S. between resistance element and case for a period of one minute without damage or arcing.
- 9. Gang error :

Nominal total resistance	Gang error
$R \geq 100k\Omega$	5dB max. between - 80dB less than - 70dB 3dB max. between - 70dB less than - 60dB 2dB max. between - 60dB ~ 0dB
$100k\Omega > R \geq 50k\Omega$	3dB max. between - 70dB less than - 60dB 2dB max. between - 60dB ~ 0dB
$50k\Omega > R \geq 20k\Omega$	3dB max. between - 60dB less than - 50dB 2dB max. between - 50dB ~ 0dB
$20k\Omega > R \geq 10k\Omega$	3dB max. between - 60dB less than - 40dB 2dB max. between - 40dB ~ 0dB

Measure between (R1, R2)
(R3, R4)
(Term 1-2 out put V)
(Term 1-3 in put V)

MECHANICAL specifications

- 1. Total rotational angle : $300^\circ \pm 3^\circ$
- 2. Rotational torque : 80~350 gf.cm (Rotational speed 60°/sec.) (at 20C)
- 3. Stopper strength : No damage with an application of 9 kgf.cm.
- 4. Resistance to soldering heat :
After soldering (less than 350°C and within 5 seconds) there shall be no evidence of poor contact between resistance element and terminals, or any physical damage as a result of the test.
- 5. Bushing nut tightening strength :
Tightening torque to be no greater than 15 kgf.cm.
*pay attention otherwise the strength may not be assured.
- 6. Push / pull strength :



No damages with an application of push or pull force
10 kgf for 10 sec.

Endurance specifications

- 1. Rotational life : 15,000 cycles min.

Note

- 1. The items except above mentioned items shall meet or exceed

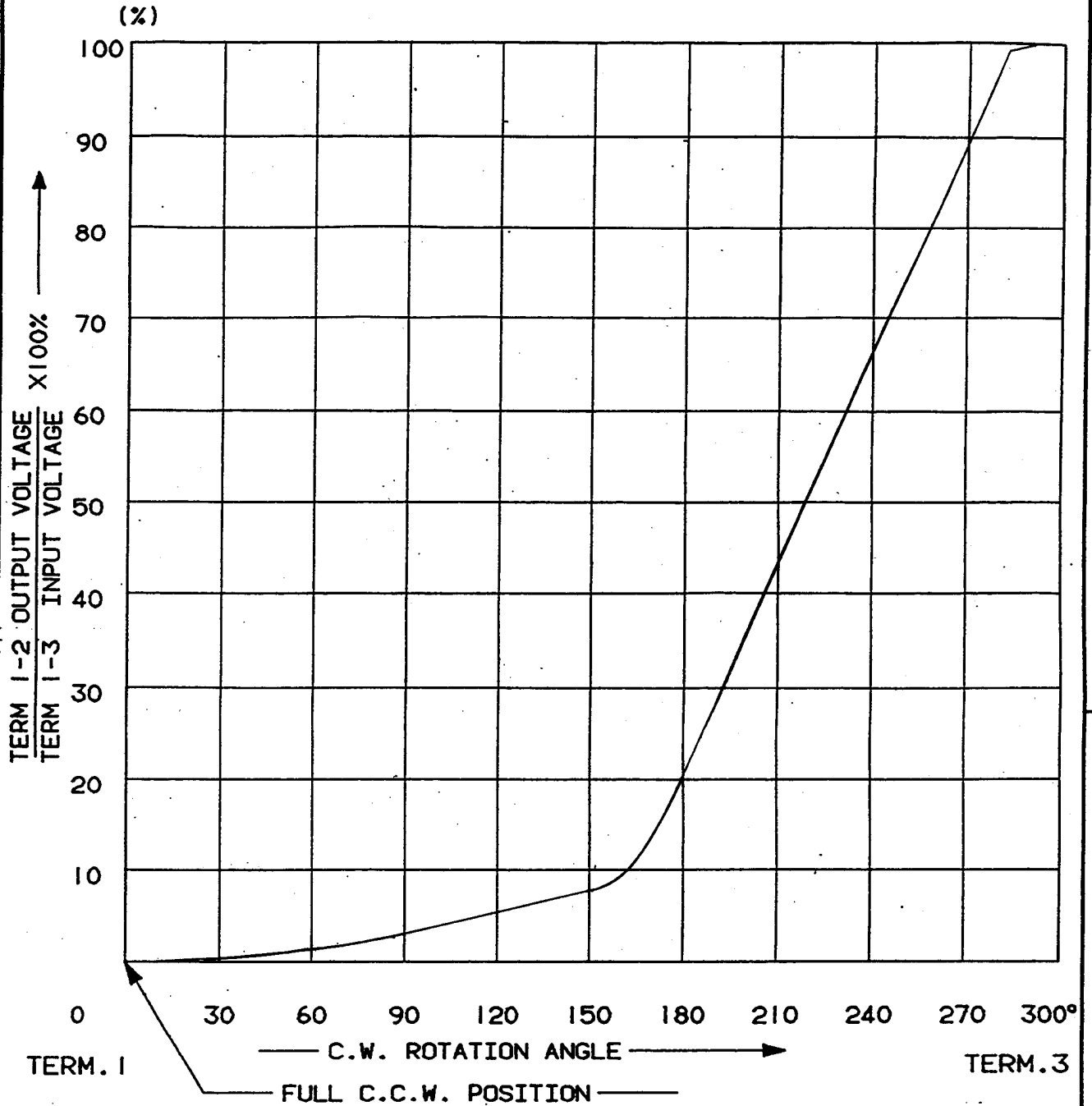
JIS C 6443.

APPR.	CHRD.	DSCD.	TITLE
Mar. 8 '99			ALPS ELECTRIC CO., LTD.
4.0/4.0			
DATE	APPR.	CHRD.	DSCD.
STATUS	DATE	APPR.	CHRD.
			DOCUMENT NO.
			4K274A0131



ALPS ELECTRIC CO., LTD

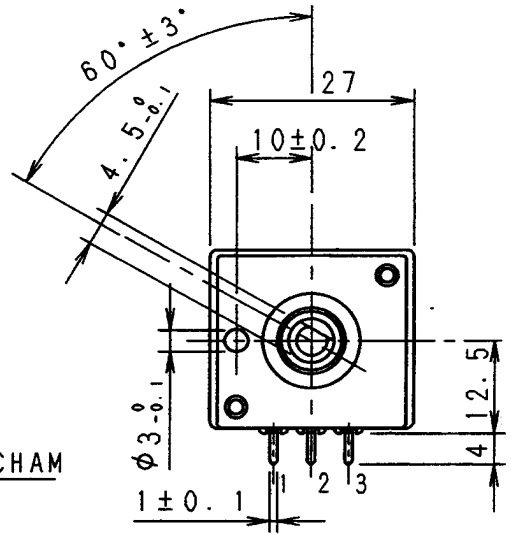
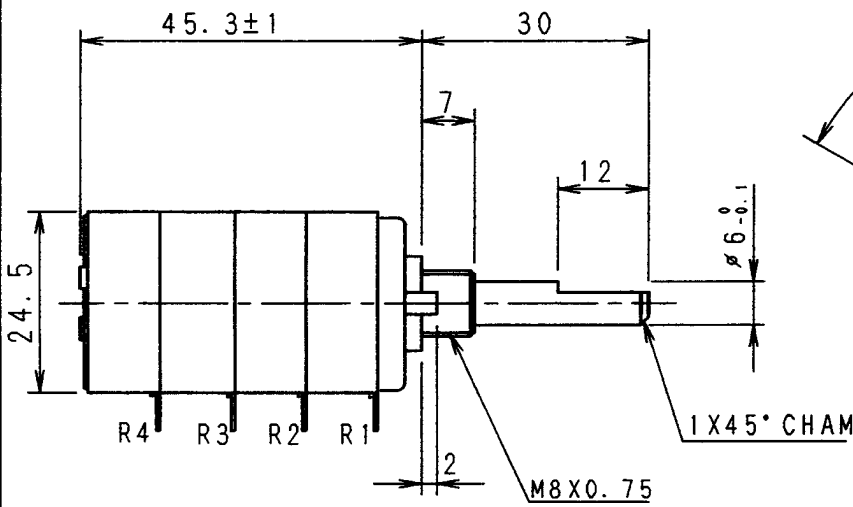
1-7 YUKIGAYA OTSUKA-CHO OTA-KU TOKYO JAPAN



AT 150° C.W. SHAFT ROTATION FROM FULL C.C.W. POSITION, VOLTAGE PERCENT SHALL FALL WITHIN THE LIMITS OF 2 - 15 PERCENT.

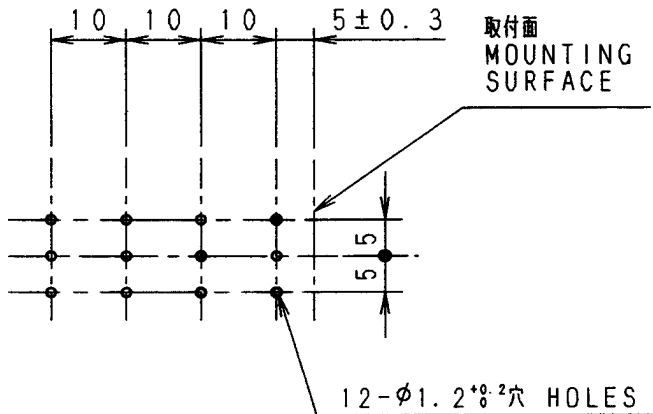
				DSGD K. Chonan Jan. 22 '96	SCALE
				CHKD. N. Sasahi Jan. 22 '96	TITLE RESISTANCE TAPER
Original	82-05-27	S.S.	M.S.	APPD. Y. Ohno Jan. 22 '96	UNIT mm
SYMB	DATE	APPD	CHKD	DSGD	DOCUMENT NO. HSD02

OR



上図は 軸を反時計方向に
回しきった状態を示す
SHAFT SHOWN IN FULL
C. C. W. POSITION

取付穴寸法図許容差±0.1
挿入側よりみた図
P. W. B. MOUNTING DETAIL
TOLERANCED 0.1
VIEWED FROM MOUNTING SIDE



指定なき部分の許容差 TOLERANCES UNLESS OTHERWISE SPEC	
$L \leq 10$	±0.3
$10 < L < 100$	±0.5
$100 \leq L$	±0.8
角度 ANGULAR DIMENSION	±5°

PART NO.	NAME	MATERIAL NAME / CODE	FINISH
ALPS ELECTRIC CO., LTD.			
		DSGD. 1-セッケイ 906011 Y. SAITOH 95-10-17	SCALE 1:1 NO.
		CHKD. <i>M. Saitoh</i> 95-10-17	TITLE FIGURE 27形1軸4連VR組立図
		APPD. <i>y. yashidaka</i> 95-10-17	DOCUMENT NO. K274A0023
SYMB	DATE	APPD	UNIT
			mm

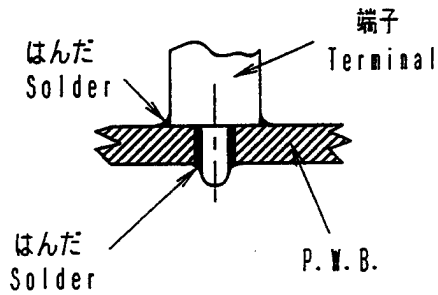
OR

< はんだ付け時のご注意事項 >

図のようにP. W. Bの上面に はんだ付けをする配線は、
お避け下さい。

Caution for soldering

Please avoid soldering on upper surface of P. W. B. as shown



					ALPS ALPS ELECTRIC CO., LTD.	
			APPD. 1-監 96.1.11 吉岡	CHKD. 1-監 96.1.11 佐藤	DSGD. 1-監 96.1.11 天矢	TITLE —
					DOCUMENT NO. 4K-1	
SYMB	DATE	APPD	CHKD	DSGD		

OR